



Stainless Steel **JUICE EXTRACTOR**

MODEL: OKL6063

INSTRUCTION MANUAL



To register your product online,
go to www.oklifestore.com

INTRODUCTION

Oklife OKL6063 is a powerful Stainless Steel Juice Extractor with intelligent variable 9 Speed LCD Display Control for efficient juice extraction of both hard and soft fruits.

OKL6063 TECHNICAL PARAMETER

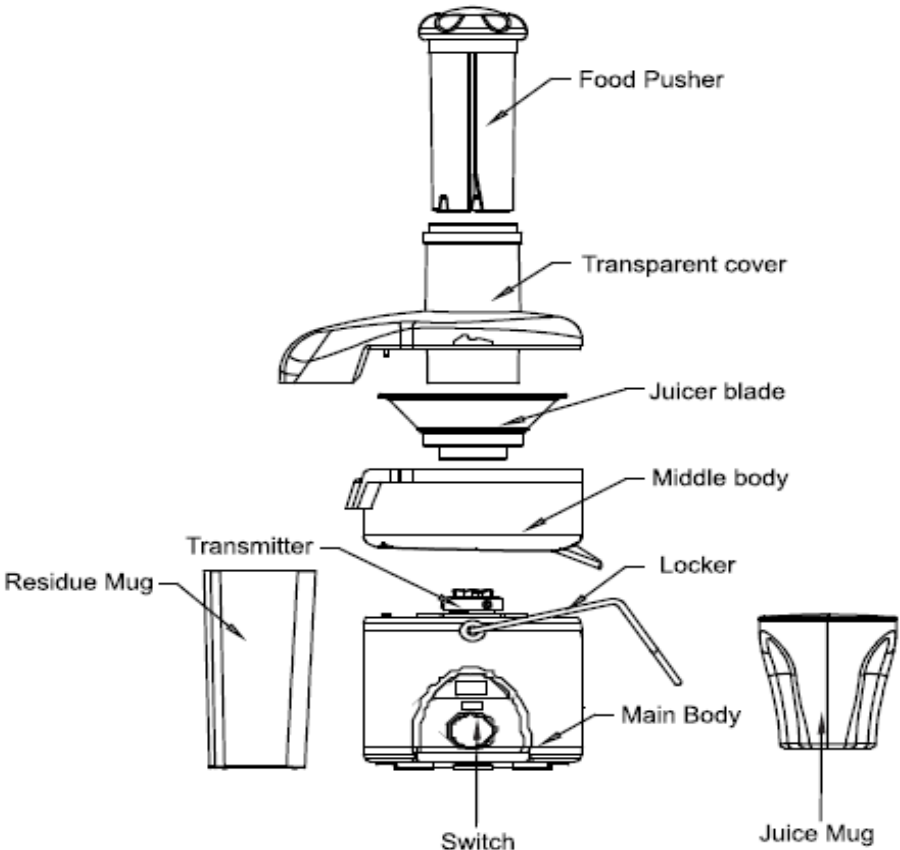
Voltage:	AC 120V, 60Hz
Motor Power:	800 Watts
Juice Mug size:	1 Quart
Feed chute:	3 inch diameter

UNPACKING THE UNIT

- Remove the packing material carefully; your Juice extractor comes partially assembled in the packaging box. Before using your juice extractor take out all the detachable parts and wash them in water to remove dust and residue. Consult the cleaning section of the manual for proper cleaning instruction.
- Remove and save all literature
- Always place your juice extractor on a dry and level surface

JUICE EXTRACTOR NAMES AND PARTS

No.	Names and Parts
1	Food Pusher
2	Transparent cover
3	Juicer blade
4	Middle body
5	Transmitter
6	Locker
7	Main Body
8	Switch
9	Juice Mug
10	Residue Mug



IMPORTANT SAFEGUARDS WHEN USING ELECTRICAL APPLIANCES

1. **READ ALL INSTRUCTIONS** before using your OKLIFE Stainless Steel Juice Extractor
2. Always use juice extractor on a dry & level surface.
3. Do not let cord hang over edge of table or touch hot surfaces or become knotted.
4. Do not place on or near a hot gas or electric burner or any hot surface.
5. Close supervision is necessary when the appliance is operated near children. Do not allow children to use this appliance.
6. Handle the appliance carefully; if the unit is dropped or bumped, it may cause the unit to malfunction.
7. To protect against electric shock, do not immerse cord, plug the main body/ motor base in water or other liquid.

8. Do not operate this appliance with a damaged cord or plug. If appliance malfunctions or has been damaged in any manner, return the appliance to our service center for examination by calling the toll-free number on the cover of this manual.
9. Always leave the appliance unplugged when not in use or during assembling.
10. Connect the appliance only to properly wired wall outlet; never connect to a loose AC wall outlet.
11. Only use recommended accessory attachments from the appliance manufacturer to avoid fire, electric shock or injury to persons
12. Assemble all parts properly and completely before using machine. The unit will not turn on if it is not properly assembled
13. Do not put your hands or any other object into food opening while the juicer is in operation.
14. Do not touch the small cutting blades in the base of the stainless steel filter basket.
15. This unit is suitable for juicing fruit (such as apple) and vegetable.
16. This product is for household use only
17. Do not use outdoors.

ADDITIONAL SAFEGUARDS

- This appliance should always be operated on stable place and flat level place and according to the instruction manual
- This appliance comes with a safety protective switch; if the unit is not installed properly per instruction, the appliance will not work
- The appliance also comes with a thermal protective device against high temperature which will shut the device down when the motor temperature is too high. The thermal protective device preserves your unit and prolongs the life span and longevity of this unit. Power on the unit when the unit has cooled down in about 10 to 15 minutes.
- Do not operate with damaged power cord, if the power cord is damaged, call your electrician or the toll free number on the front cover of the manual.
- Do not put your hand into the feed chute when operating the appliance
- Always shut down the power before cleaning the residue mug
- For effective juicing, slowly and gently press down the food pusher while juicing

ASSEMBLING INSTRUCTIONS FOR YOUR JUICE EXTRACTOR

CAUTION

MAKE SURE JUICE EXTRACTOR IS UNPLUGGED BEFORE STARTING TO ASSEMBLE

FOLLOW THE STEPS BELOW TO ASSEMBLE YOUR JUICE EXTRACTOR

Step 1



Place the Middle Body onto the Main Body and secure firmly.

Step 2

Set the Juicer Blade into the Transmitter and press to tighten

Step 3

Place the Transparent Cover onto the Middle Body and push down the locker into locking position. The unit will not work if this step is not properly placed and locked.

Step 4

Slide the Residue Mug under the Middle Body residue spout.
Place Juice Mug under the Middle Body juice spout

Step 5

Connect the plug to the electrical wall unit and turn the Switch on, the motor starts to run and ready for juicing.

Step 6

Insert fruits and vegetables into the open feed chute on the Transparent Cover.
Gently slide the Food pusher down the feed chute

CAUTION

Do not put your hands or any other objects into the feed chute when operating the unit
For effective juicing, slowly and gently press down the food pusher through the feed chute

NOTE

The Juice Extractor will not work until the Top lid of the Pulp Container is LOCKED properly

CARE AND CLEANING

- For easy care, immediately after use, rinse each of the removable parts in warm water and allow parts to air dry
- **Removable parts to be rinsed:** Food pusher, transparent cover, juicer blade, middle body, juice mug, residue mug, and blade combination
- Do not immerse the **Main Body** in water, only wipe with damp cloth.
- For easy cleaning, we suggest you place a small plastic bag into the **Residue Mug** to collect residue.

CAUTION

Do not rinse or immerse the Main Body in water or any other liquid
Turn off the power before cleaning the residue mug

CAUTION

1. To have the best extracting effort and prolong the lifespan of the unit, please clean the pulp container, filter and blade after extracting one cup of juice
2. To remove the stainless steel micromesh filter blade from the juicer after juicing, lift the Middle Body upwards from the Main Body. The blade should come off easily afterwards.
3. To prolong the lifespan of your unit, do not run the motor continuously for more than three minutes



CAUTION

1. Make sure the juicer is turned OFF when replacing/installing the blender.
2. Do not keep the switch in the ON position and use the plug to turn the juicer ON.
3. To have the best extracting result and prolong the lifespan of machine, clean the pulp container and filter/blade after extracting each cup of juice.
4. To ensure safety and proper functioning of machine, do not work continuously for over 3 minutes.

PROBLEM SOLVING

PROBLEM	LIKELY PROBLEM	SOLUTION
Unit will not work	Safety switch not connected or broken	Reassemble the machine to make sure every part is locked well
Motor emits smoky smell when juicing	Ran motor too long, motor overheat	Stop and let motor rest
Motor appears to stop when juicing	Power is off, the fruit is probably too hard to extract, or the fuse is burnt because it ran too long	Recheck the power, remove hard fruit and try with a softer fruit. If it fails to work, return unit to customer service center
Excess pulp building in the filter basket	The pulp container maybe full	Clear the pulp container
Pulp too wet and insufficient	Fruit pushed too fast when juicing	Do not push fruit too fast

FREQUENTLY ASKED QUESTIONS

QUESTION: WHAT ARE THE KEY FEATURES OF OKLIFE OKL6063 9 SPEED STAINLESS STEEL JUICE EXTRACTOR?

ANSWER:

Oklife OKL6063 9 Speed Stainless Steel Juice Extractor juicer which uses high quality stainless steel blades with micro mesh sieve to separate the juice from the solid part, the pulp. Oklife juice extractor is an electric juicer, which requires less effort and it's an easy method of getting healthy fresh fruit and vegetable intake in just seconds. Oklife Juicer's variable 9 speeds LCD display control gives you the flexibility and capability to select the desired speeds for juicing soft fruits (speed levels 1 to 3), medium hard fruits (speed levels 3 to 7) and hard fruits (speed levels 8 to 9). The juice extractor's powerful 800 watts motor allows for an exceptional high juice extraction rate. The juice extractor's wide feed chute allows for easy insertion of whole fruits or multiple carrots at a time; thereby reducing juicing time and increasing efficiency. Oklife Juicer is very easy to clean. It comes with a 2-year limited warranty.

QUESTION: WHAT ARE THE BENEFITS OF THE SPEED LEVELS?

ANSWER:

Okl6063 variable 9 - Speed LCD display control gives you the flexibility and capability to select the desired speeds for juicing soft fruits and veggies (speed levels 1 to 3), medium hard fruits (speed levels 3 to 7) and hard fruits (speed levels



8 to 9). This feature allows for high juice extraction. Check out the speed level guide on most fruits and vegetables in the instruction manual.

QUESTION: CAN I JUICE GREENS SUCH AS KALE, CILANTRO AND WHEATGRASS IN MY OKLIFE JUICER?

ANSWER:

YES. For best results, roll up or bunch up these greens and insert in your Oklife Juicer; you can then add any juicy fruits such as pineapple as needed.

QUESTION: WHERE CAN I PURCHASE OKLIFE JUICER?

ANSWER:

Oklife Juicer is sold online through Amazon.com, Sears.com and shopoklife.com. Ordering is simple. Visit www.oklifestore.com to take you to our online order center or contact our Customer Service line 866 936 9444 for all inquiries.

QUESTION: DOES OKLIFE JUICER HAVE A LIMITED WARRANTY, RETURNS AND REPLACEMENT POLICY?

ANSWER:

Oklife OKL6063 9 Speed Stainless Steel Juice Extractor is warranted to be free of defects from workmanship and materials for the period of two years from the date of original purchase. Should any trouble develop during the period of two years, please call our customer service number 866 936 9444 for guidance. All warranty service and replacement requires the original receipt as proof of the date of sale with original purchaser name.

TIPS ON TROUBLESHOOTING OKLIFE JUICER

QUESTION: MY OKLIFE JUICER WILL NOT TURN ON?

ANSWER:

1. Check and make sure the safety switch is connected and snapped into place.
2. Reassemble the machine to make sure every part is locked well.
3. Please call customer service or send a message to us through contact us page on our website if you were unable to resolve the problem

QUESTION: WHY IS EXCESS PULP BUILDING IN THE FILTER BASKET?

ANSWER:

1. The pulp container maybe full.
2. Clean the pulp container to remove excess pulp

QUESTION: WHY IS THE PULP TOO WET AND INSUFFICIENT

ANSWER:

1. Fruit may have been pushed too fast when juicing or the wrong speed may have been used when juicing.
2. Oklife Juicer has 9 speed LCD control which gives you the flexibility and capability to select the desired speed for juicing soft fruits and veggies (speed levels 1 to 3), medium hard fruits and veggies(speed levels 3 to 7) and hard fruits and veggies (speed levels 8 to 9).
3. Also, try not to push fruit or vegetable too fast.

QUESTION: CAN I WASH ALL OKLIFE JUICER PARTS IN THE DISHWASHER?

ANSWER:



1. All Removable parts such as the Food pusher, transparent cover, juicer blade, middle body, juice mug, residue mug, and blade combination can be rinsed in water and are dishwasher safe (**avoid using extremely high heat on your dishwasher washing cycle**).
2. The only part that cannot be rinsed in water is the MAIN BODY which houses the motor; only wipe with damp cloth.

QUESTION: WHAT IS THE SIZE OF THE FEED CHUTE?

ANSWER:

1. The feed chute is almost 3 inches wide in diameter and can take a whole apple or several carrots.
2. When juicing carrots, always be mindful of over stuffing the chute; use the food pusher when juicing carrots for best juicing experience.

QUESTION: HOW DO I REMOVE THE MICROMESH FILTER BLADE FROM THE JUICER AFTER JUICING?

ANSWER:

The stainless steel micromesh filter blade sits right on top of the stainless steel middle body. The most efficient way to remove the micromesh blade is by lifting the middle body upwards from the main body. The blade should come off easily afterwards.

QUESTION: I NOTICED THAT THERE IS WATER INSIDE THE FOOD PUSHER WHEN I WASH IT IN THE DISHWASHER, HOW DO I REMOVE THE WATER?

ANSWER:

The food pusher has a top cover. If you feel there is water inside the food pusher, open the lid right on top of the food pusher. The water should come off.

QUESTION: WHY DOES JUICE COME OUT BETWEEN THE PULP CONTAINER AND THE COVER SOMETIMES WHEN I JUICE?

ANSWER:

1. OKL6063 Juicer comes with 9 variable speeds to address this issue. Soft fruits with high water content should be juiced using lower speed levels, while hard fruits should be juiced using high speed levels. Check out the speed level guide on most fruits and vegetables in the instruction manual.
2. You can also line the pulp container with a small plastic trash bag for easy cleaning.
3. If none of these solutions help, call customer support at 866-936-9444.

JUICING RECIPES

To get you started using your Juice Extractor; we have included delicious juicing recipes for your delight. Enjoy!

<p>Grapefruit Delight</p> <ul style="list-style-type: none"> • 2 or 3 apples • ½ grapefruit <p>Remove the peel of the grapefruit but leave as much</p>	<p>Orange Lime</p> <ul style="list-style-type: none"> • ¼ to ½ lime • 1 orange <p>Peel the orange but leave the white membrane to get</p>
---	--

<p>of the white membrane as possible. The white membrane contains bioflavonoids. Remove the seeds of the apple before juicing.</p>	<p>the bioflavonoids. You can juice the peel of the lime. You can also juice the seeds</p>
<p>Sweet Cherry</p> <ul style="list-style-type: none"> • 1 large handful of pitted cherries • 1 apple • 2 slices of pineapple <p>Remove the seeds of the apple before juicing. If the pineapple is organic, you can juice the rind for added nutrition and flavor. If the cherries are organic, you can also juice the cherry stems.</p>	<p>Grape Taste</p> <ul style="list-style-type: none"> • 1 bunch of grapes • 4 to 6 strawberries • 1 apple <p>Remove the seeds from the apple. Juice the stems of the grapes if organic. If not, discard the stems.</p>
<p>Kiwi Surprise</p> <ul style="list-style-type: none"> • 2 to 3 kiwis • 1 orange • Strawberries to taste <p>Peel the orange while leaving as much white membrane on as possible. The white membrane contains bioflavonoids. This drink is rich in vitamin C.</p>	<p>Papaya Magic</p> <ul style="list-style-type: none"> • 1 medium size papaya • 1 apple • 2 kiwis <p>Remove the seeds of the papaya before juicing as the seeds can be bitter tasting. Remove the seeds of the apple before juicing.</p>
<p>Pineapple</p> <ul style="list-style-type: none"> • ½ pineapple <p>If the pineapple is organic, then you can juice the rind. If the pineapple isn't organic, then do not juice the rind.</p> <p>The rind contains a lot of beneficial nutrition including the digestive enzyme known as "bromelain".</p>	<p>Sweet and Sour</p> <ul style="list-style-type: none"> • ¼ to ½ grapefruit • 1 to 2 apples <p>Peel the grapefruit but leave the white membrane to get the bioflavonoids. Remove the seeds of the apple.</p>
<p>Honey I'm Home</p> <ul style="list-style-type: none"> • ½ honeydew melon <p>If organic, juice the rind as well for extra nutrition and flavor. You can also juice the seeds.</p>	<p>Pear Lemon</p> <ul style="list-style-type: none"> • 1 pear • ¼ to ½ lemon <p>Juice the peel of the lemon for extra nutrition and flavor. You can juice the seeds too.</p>
<p>Orange Juice</p> <ul style="list-style-type: none"> • 3 oranges 	<p>Pineberry</p> <ul style="list-style-type: none"> • ¼ to ½ pineapple • Add strawberries until desired taste is

<p>Remove the peel but leave the white membrane. The white membrane contains bioflavonoids which helps the body assimilate vitamin C.</p>	<p>achieved</p> <p>Juice the rind of the pineapple if organic. This allows you to get the bromelain from the rind.</p>
<p>Sweet Lemon</p> <ul style="list-style-type: none"> • ¼ to ½ lemon • 2 to 4 apples <p>Don't forget to juice the lemon peel for extra nutrition. Remove the seeds of the apple.</p>	<p>Carrot Juice</p> <ul style="list-style-type: none"> • 4 large organic carrots <p>Wash carrots using water and a stiff vegetable brush to remove any dirt. Remove the green tops and slice the carrots to fit your juicer. Juice and enjoy.</p>
<p>Celery Juice Recipe with celery and apples</p> <ul style="list-style-type: none"> • 4 stalks of celery • 2 large carrots • 1 large apple <p>Wash the fruit and vegetables using water and a stiff vegetable brush. Keep the leaves on the celery, but remove the carrot tops. Core the apple. Slice to fit your juicer. Juice and enjoy.</p>	<p>Pearot</p> <ul style="list-style-type: none"> • 3 or 4 apricots • 1 Pear
<p>Carrot-Apple Juice</p> <ul style="list-style-type: none"> • 4 large carrots, scrubbed • 2 ribs celery, washed • 1 apple, washed, seeded and cut into pieces <p>Process carrots, celery and apple using juicer. Whisk together and pour into glass</p>	<p>Ginger Broccoli Juice</p> <ul style="list-style-type: none"> • 2 stalks broccoli, washed and cut into pieces • 1 clove garlic • ¼ small cabbage, washed and cut into cubes • 1/2 –inch piece fresh gingerroot <p>Process broccoli, garlic, cabbage and ginger using juicer. Whisk together and pour into a glass.</p>

SPEED LEVEL GUIDE

Fruit and Vegetable List	Speed Levels
Apples	9
Apricot (remove stone)	4-6

Beetroot	9
blueberries	1-3
blackberry	1-3
Broccoli	6-7
Brussels sprout	8-9
Cabbage	6-7
Cauliflower	4-6
Carrot	9
Celery	9
Cilantro	6-7
Cucumber	8-9
Garlic	9
Grapes (seedless)	1-3
Kale	7-8
Kiwi (peeled)	1-3
Lemon	9
Mangoes (peel and remove stone)	1-2
Melons (peeled)	1-3
Nectarines (remove stone)	1-3
Oranges (peeled)	1
Peaches (remove stone)	1-3
Pears (hard)	9
Pears (soft)	1-3

Pineapple (peeled)	9
Plums (remove stone)	1-3
Pomegranate	5-7
Raspberries	1
Spinach	6-7
Strawberries	1
Sweet potato	9
Tomatoes	1
Watermelon (peeled)	1



WARRANTY AND SERVICE RELATED INFORMATION

Call the toll free number on the front cover of the instruction manual for all questions relating to service, repair or questions on how to use this appliance. Please consult the website listed on the front cover of the manual for detailed information on sending back an appliance and registering your product online.

LIMITED TWO YEAR WARRANTY POLICY

Every unit is thoroughly inspected and tested before leaving the factory. It is warranted to be free of defects from workmanship and materials for the period of two years from the date of original purchase. Should trouble develop during the period of two years, return the complete unit with the original receipt as proof of the date of sale to our Customer Service Center. If inspection shows the trouble is caused by defective workmanship of material, the unit will be replaced with similar unit that is new or factory refurbished at our option. For mailing address and instructions call 866-936-9444 between 9:00 am and 5:00 pm Eastern Standard Time, Monday through Friday. You can also visit our website at www.oklifestore.com for complete information.

This warranty does not apply where:

- This unit has been abused, misused or improperly maintained
- Alterations or repairs have been made on the unit
- Repairs are required because of normal wear and tear
- Repairs has been made or attempted by others
- Damage is caused by commercial use
- Glass parts and other accessory items that are packed with the unit are not covered by the warranty
- Shipping and handling costs associated with the replacement of unit is not covered by warranty
- Any purchase outside of the United States and Canada

Some states do not allow limitation on how long an implied warranty lasts or do not allow the exclusion or incidental or consequential damages, so the above limitations may not apply to you.

This warranty gives you specific legal rights, and you may also have other rights, which vary from state to state.